

JPL-2580B

High-End tray loading mechanism for CD/SACD/DVD



Description

The JPL-2580M SilverStrike is a tray loading mechanism for use in disc-loading applications such as high end CD/SACD/DVD Separates or Home Theatres. It is compatible - in terms of dimensions, mounting points and electrical connections - with a "de facto" industry standard loader.

The tray is an Aluminium-ABS compound framed by high-grade steel rods which are guided in precision bearings. This combines the noise and vibration damping effects of ABS with a robust metal guiding and the visible touch and feel of the electrically oxidized aluminium tray.

The AntiVibe® system absorbs and dampens vibrations caused by unbalanced discs and prevents noise. Only first grade materials and components are being used and the loader is fully RoHS compliant.

Versions

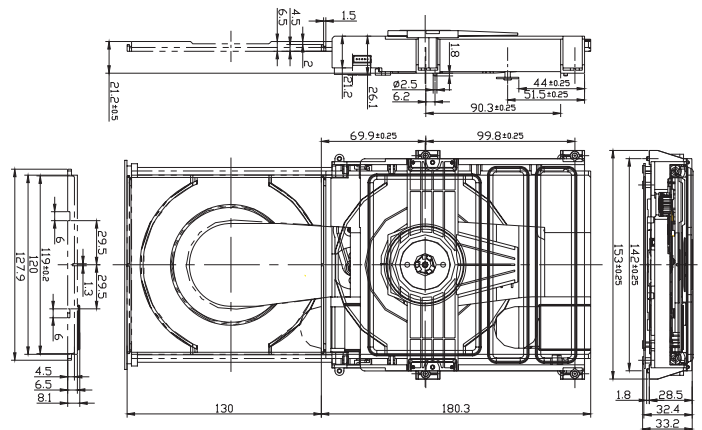
The loader is available in following versions:

- ◆ Loading mechanism only for use with a "CE industry compatible" traverse mechanism for CD or DVD (base plate 80mm x 100mm). A traverse mechanism can easily be mounted from the loader bottom without any disassembly of loader parts.
- ◆ Loading mechanism with Sony KHM313 traverse unit mounted and all cables attached.
- ◆ Loading mechanism with DM3381P traverse unit/Sanyo SF-HD850 OPU mounted and all cables attached.

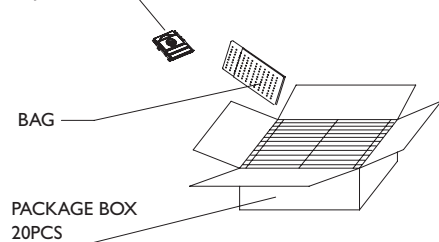
Specification

Weight: 450g (without traverse mechanism)
Operating Temperature: -5°C to 60°C
Storage Temperature: -25°C to 70°C
Noise: <70dBA
Shock: >100g
Open/close cycles: >50,000
Electrical connection: 5pin JST connector

Dimensions



JPL-2580B LOADER



Availability

in mass production

Further Information

StreamUnlimited Optical Storage GmbH

Gutheil-Schoder-Gasse 10
1102 Vienna, Austria
Phone: +43 1 60101 4998
e-mail: michael.jirousek@streamunlimited.com
http://www.streamunlimited.com

ANAGRAM Technologies

Z.I. Le Tres 6A, 1028 Preverenges
Switzerland
Phone: +41 21 804 1960
e-mail: sales@anagramtech.com

Copyright 2007 StreamUnlimited and ANAGRAM Technologies SA. All rights reserved. Reproduction in whole or in part is prohibited without the prior consent of the copyright owner. The information presented in this document does not form part of any quotation or contract, is believed to be accurate and reliable and may be changed without notice. No liability will be accepted by the publisher for any consequence of its use. BlueTiger, Q5, Sonic2 and Enduro are trademarks or registered trademarks of ANAGRAM Technologies. All other trademarks included herein are the property of their respective owners.